

MGR-AH3400Z

INDUSTRIAL AC SOLID STATE RELAY (ORDINARY TYPE)



Type meaning

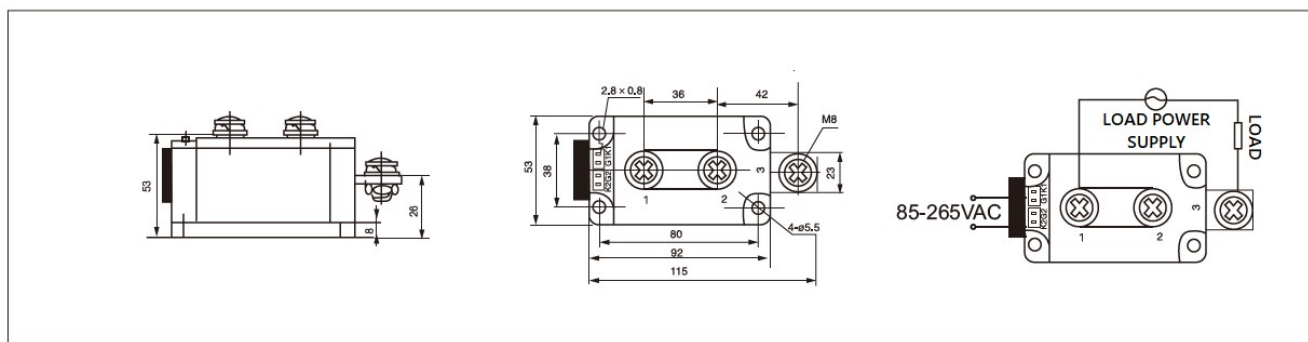
MGR - A: [Control voltage 85-265VAC] **-H:** [Long strip] **- 3:** [Control voltage 30-480VAC] **-400:** [400A] **- Z**
:[Zero-crossing type]

Features

- Rated current: 400Amps
- Rated voltage: 30-480VAC
- Control voltage: 85-265VAC
- Control current: $\leq 10\text{mA}$
- Reverse-parallel SCR as the output component can be used in commercial or heavy industrial applications with reliable performance
- "Ultra low" input current
- Low output off-state leakage current
- Low output on-state voltage drop
- Display output status via LED
- Standard output RC snubber circuit

Notice

- If the load current is 10A, a heat sink must be equipped; if the load current is 40A or more, an air-cooled radiator or a water-cooled radiator must be installed.
- When the load is an inductive load, be sure to connect a varistor in parallel with the output terminal, whose voltage value is 1.6-1.9 times the load voltage.



Note: Specific voltage can be customized.